

Knowledge Base Article

Product Group: Multilog DMx

Product: DMx Power Supply, NEC (IS), CMMA9110-NEC, CMMA9120-NEC

Version: N/A

Abstract

The DMx Hardware User Manual does not indicate the terminal assignments for the CMMA9110-NEC or CMMA9120-NEC power supply. Terminal assignments may not be obvious when installing the power supply in a DMx system. This article provides information about the terminal assignments..

Overview

The terminal assignments for the CMMA9110-NEC and CMMA9120-NEC power supply are found on the certification label located on the side of the power supply housing.

For both types of power supplies, there are **four** 9.5 Vdc IS outputs that are capable of operating a maximum of two DMx per output. [Figure 1]

- **Output 1** is terminal 11 (-) and terminal 10 (+)
- **Output 2** is terminal 13 (-) and terminal 12 (+)
- **Output 3** is terminal 15 (-) and terminal 14 (+)
- **Output 4** is terminal 17 (-) and terminal 16 (+)

CMMA9110-NEC

For the CMMA9110-NEC power supply, 110/220VAC is connected. [Figure 1]

This is not an intrinsically safe connection.

- Primary voltage input L is terminal 1 and/or terminal 4
- Primary voltage input N is terminal 2 and/or terminal 5
- Primary voltage input PE is housing terminal screw

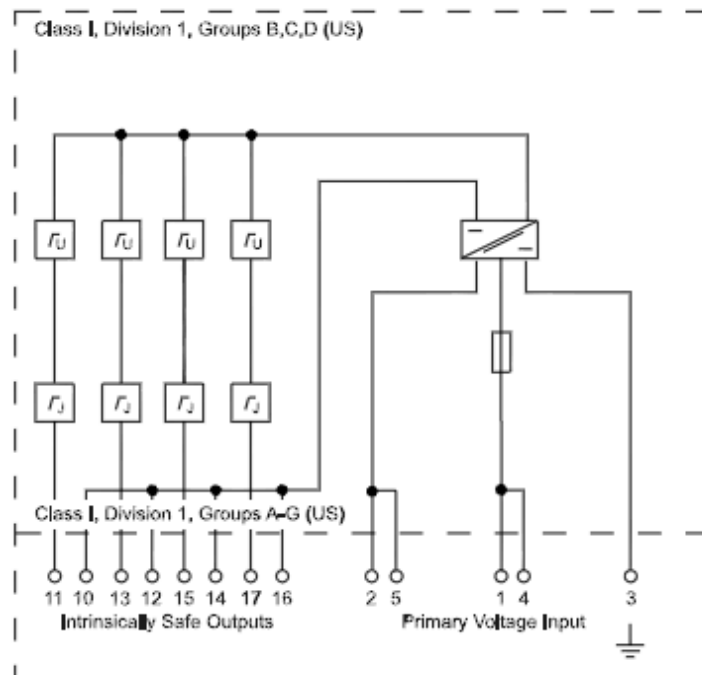


Figure 1. CMMA9110-NEC Connection Diagram

CMMA9120-NEC

For the CMMA9120-NEC power supply, 24 Vdc is connected. [Figure 2]

This is not an intrinsically safe connection.

- Primary voltage input +24 Vdc is terminal 1 and/or terminal 4
- Primary voltage input 0 Vdc is terminal 2 and/or terminal 5
- Primary voltage input PE is housing terminal screw

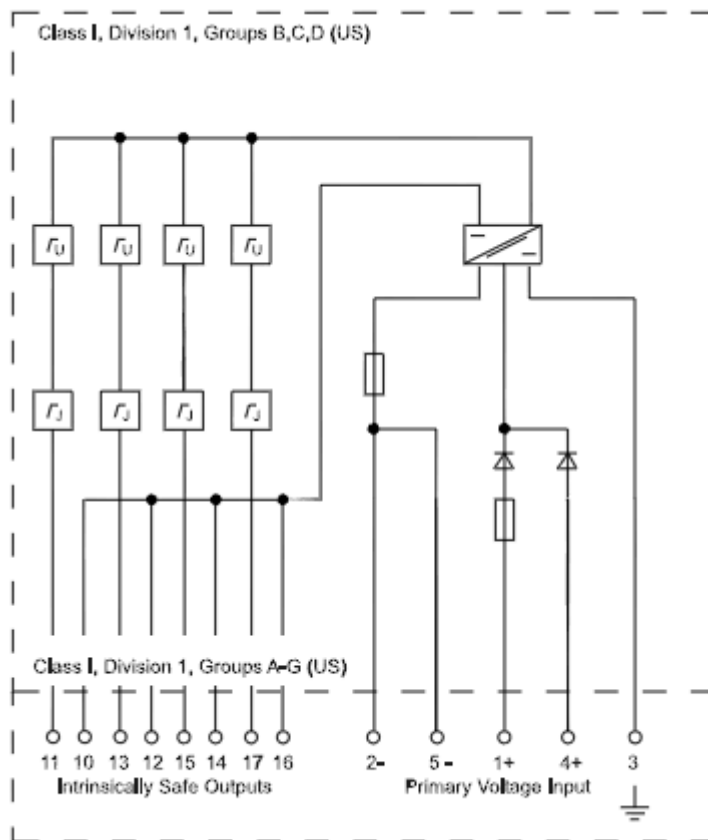


Figure 2. CMMA9120-NEC Connection Diagram

NOTE: Installation must comply with the requirements of certification and the authority having jurisdiction.

For further assistance, please contact the Technical Support Group by phone at 1-800-523-7514 option 8, or by email at TSG-Americas@skf.com.